

3 Way Diverter Valves Series "D"



Pneumatic actuated
3 way diverter valve
for vacuum or low
pressure* conveying
systems.

Available in Sizes
from 2" up to 8"

**Inlets & Outlets available in Tube & Pipe Sizes
in Stainless Steel, Aluminum & Carbon Steel**

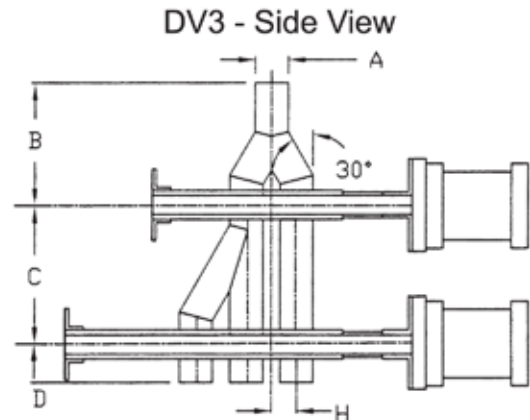
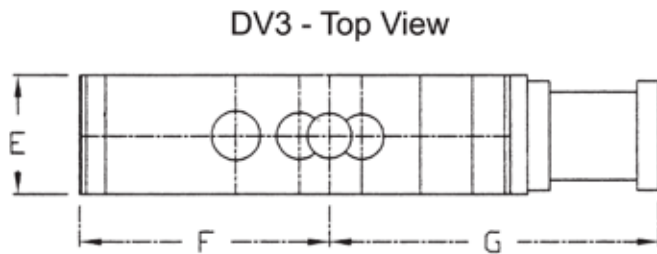
(Dilute phase up to 15 psig max)

Standard Features

- Positive Blade Lock (PBL) Between Blade & Cylinder Rod.
 - Internal Magnetic Piston, Cushioned Air Cylinder.
 - Active Compression Seal (ACS).
- Polished Stainless Steel Blade. Light Weight Aluminum Body Construction.
 - Temperature Rated for up to 82°C (180°F).
- Double Acting or Single Acting Spring Return Solenoid or Manual Lever Valve.
NEMA 4 Watertight & Dust Tight Electrics.
Wall Thicknesses of 16, 14 & 11 Gauge, Schedule 10, 40 & 80.
Fully Tested Prior to Shipping.

We deliver what we promise on time every time!

3 Way Diverter Valves Series "D"



Model Number	Size A	B	C	D	E	F	G	H
DV3-200	2	7½	8	4	5	10½	15½	1¼
DV3-2375	2⅝	10½	10	5	6	14½	19⅞	1¾
DV3-250	2½	8	10	5	6	14½	19⅞	1¾
DV3-2875	2⅞	10½	10	5	6	14½	19⅞	1¾
DV3-300	3	8½	10	4	6	14½	19⅞	1¾
DV3-350	3½	12½	13	6	7	20½	23½	2½
DV3-400	4	10½	13	4	7	20½	23½	2½
DV3-450	4½	13½	15½	6	9	25½	26½	3
DV3-500	5	12¾	15½	5	9	25½	26½	3
DV3-5563	5 ⁹ / ₁₆	14¾	18¼	6	10	28½	30 ⁷ / ₈	3½
DV3-600	6	14¾	18¼	5	10	28½	30 ⁷ / ₈	3½
DV3-6625	6 ⁵ / ₈	15	16½	7	11	30½	38¾	5
DV3-800	8	19	18½	9	12	30½	38¾	5

Options

- Position Switches 5 Volt to 220 Volt AC/DC.
- Prewired Terminal Boxes.
- Oversized Air Cylinders. Valve Body Sealed for Air Purging.
- Inlets/Outlets - Straight or Flanged Ends.
- Manual Hand Wheel Operation. Electric Actuator.
- Solenoids 110 Volt AC or 24 Volt DC. NEMA 7-9 Hazardous Locations.
(Class I, Groups B, C&D, Class II, Groups E, F, & G).
- High Temperature Modifications.

We deliver what we promise on time every time!