

Lorenz Clamp*

**For Clamping Doors
on Bins, Hoppers, Tanks
& Screw Conveyors**



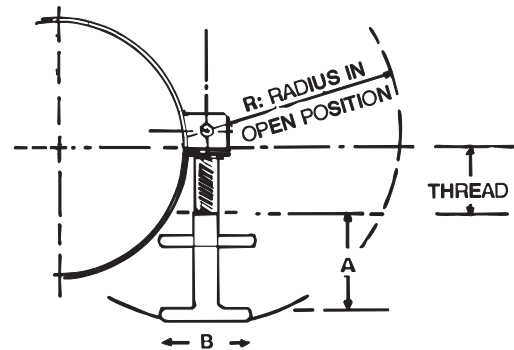
* Patented Canada 1025783
* Patented U.S.A. 4193173

Standard Features

- Manufactured of highly polished stainless steel
 - No tools required
 - Will not loosen through vibration
- Patented one piece unit - parts cannot be lost
- Thick mounting brackets make installation easy
 - Full 2" adjustment
- Full 180° pivot when disengaged - no obstructions

MODEL #	THREAD SIZE	A	B	R
250	1/4"	3-1/2"	3"	6-1/2"
250 Short	1/4"	2-1/2"	3"	4-1/2"
312	5/16"	3-1/2"	3"	6-1/2"
312 Short	5/16"	2-1/2"	3"	4-1/2"
375	3/8"	3-1/2"	3"	6-1/2"
375 Short	3/8"	2-1/2"	3"	4-1/2"
500	1/2"	3-1/2"	3"	6-5/8"
500 Short	1/2"	2-1/2"	3"	4-5/8"
750	3/4"	5-1/8"	5"	9"

OTHER SIZES TO ORDER



All Clamps come with "U" clips and bolts for installation

Lorenz Clamps are especially designed for closing on objects such as bins, hoppers, door openings, tanks, bucket elevators, manholes & surge bins.

